

SINGER

19W4

Form 3011w
(950)
Printed in U. S. A.

SHOP COPY

SINGER**

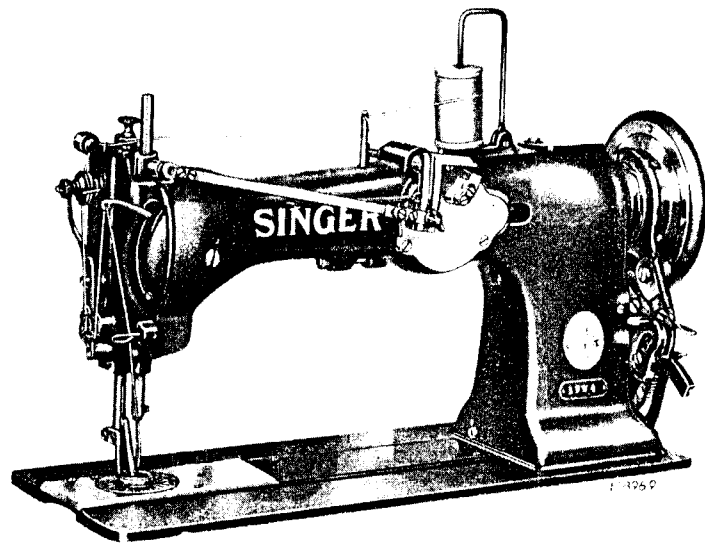
19w4



From the library of: Diamond Needle Corp

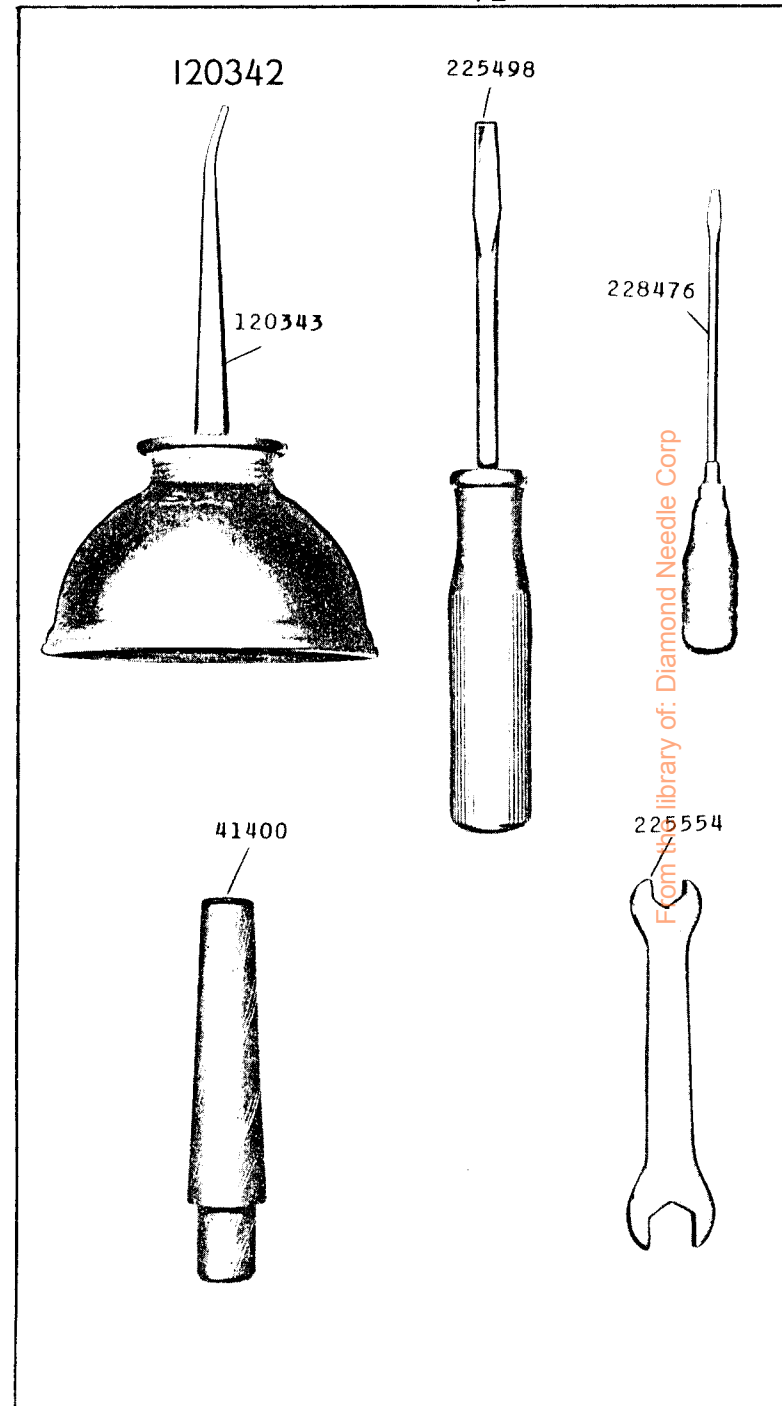
** A TRADE MARK OF

THE SINGER MANUFACTURING COMPANY



Copyright, U. S. A., 1939, 1940, 1941 and 1951,
by The Singer Manufacturing Company
All Rights Reserved for All Countries

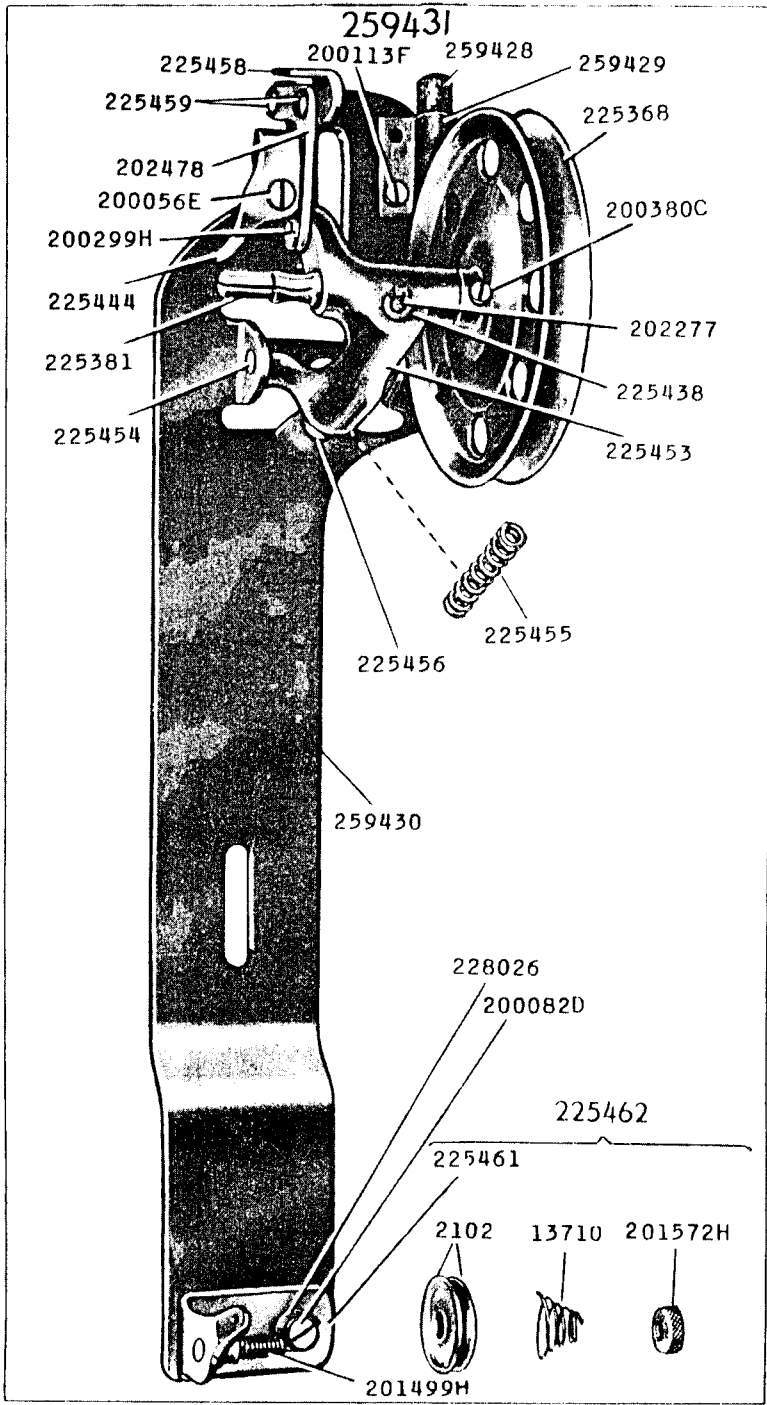
13067 - 1/2



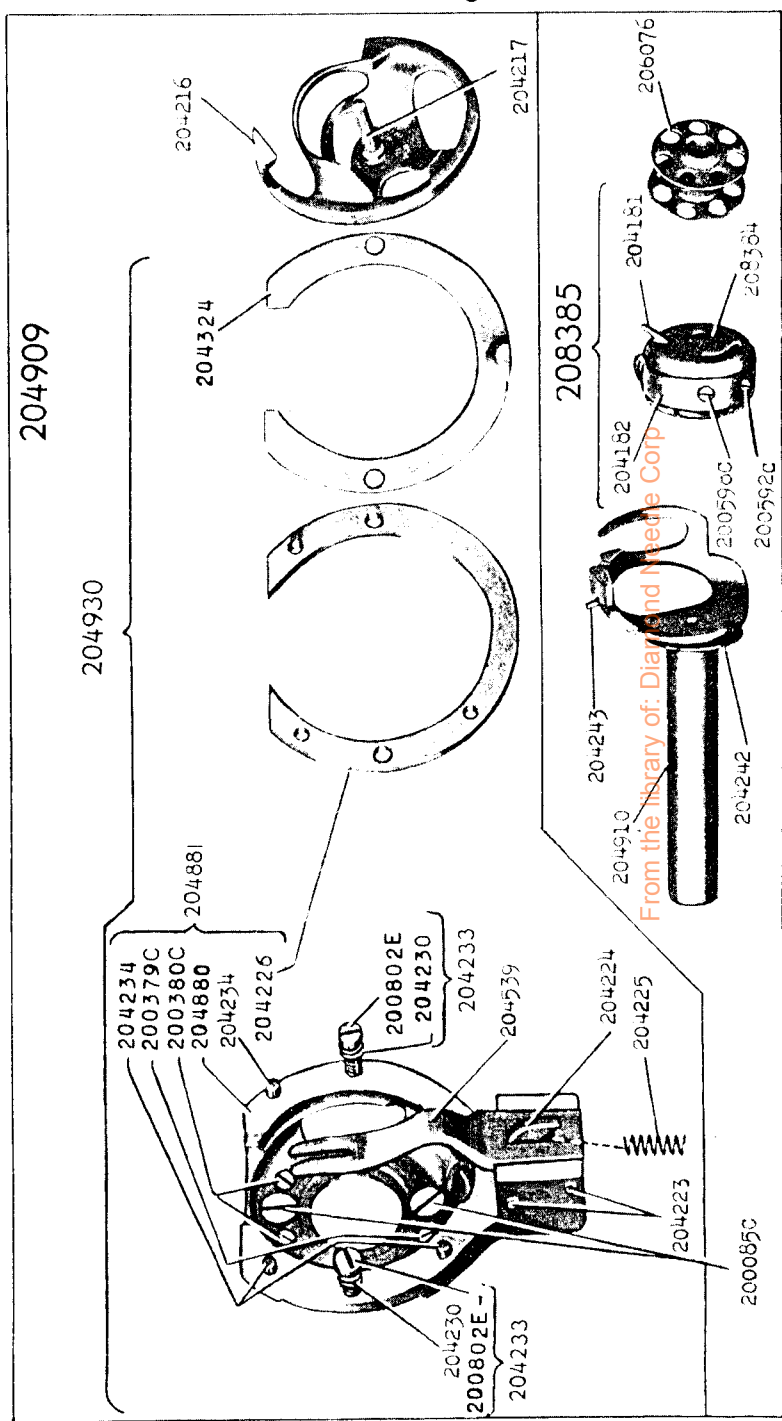
From the library of: Diamond Needle Corp

16615 - 1/2

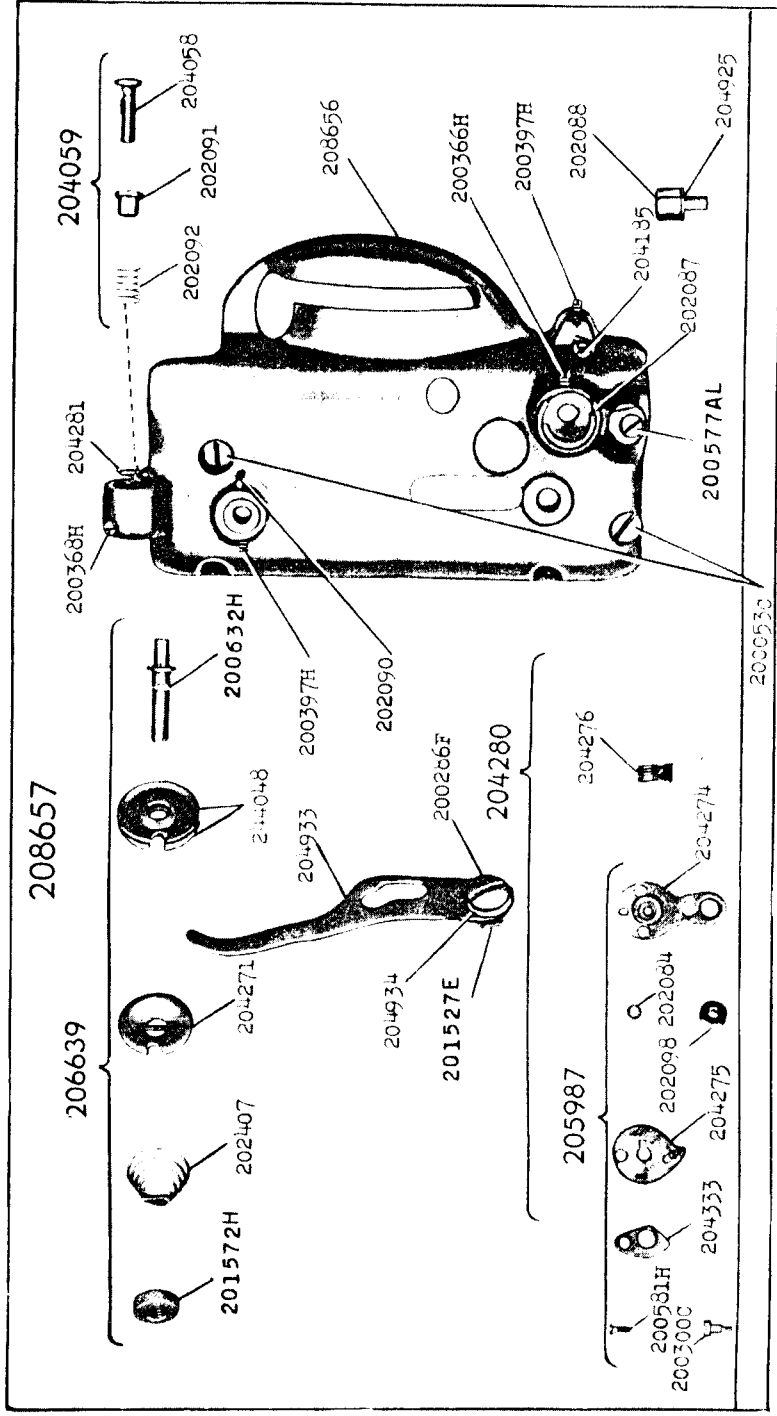
259431



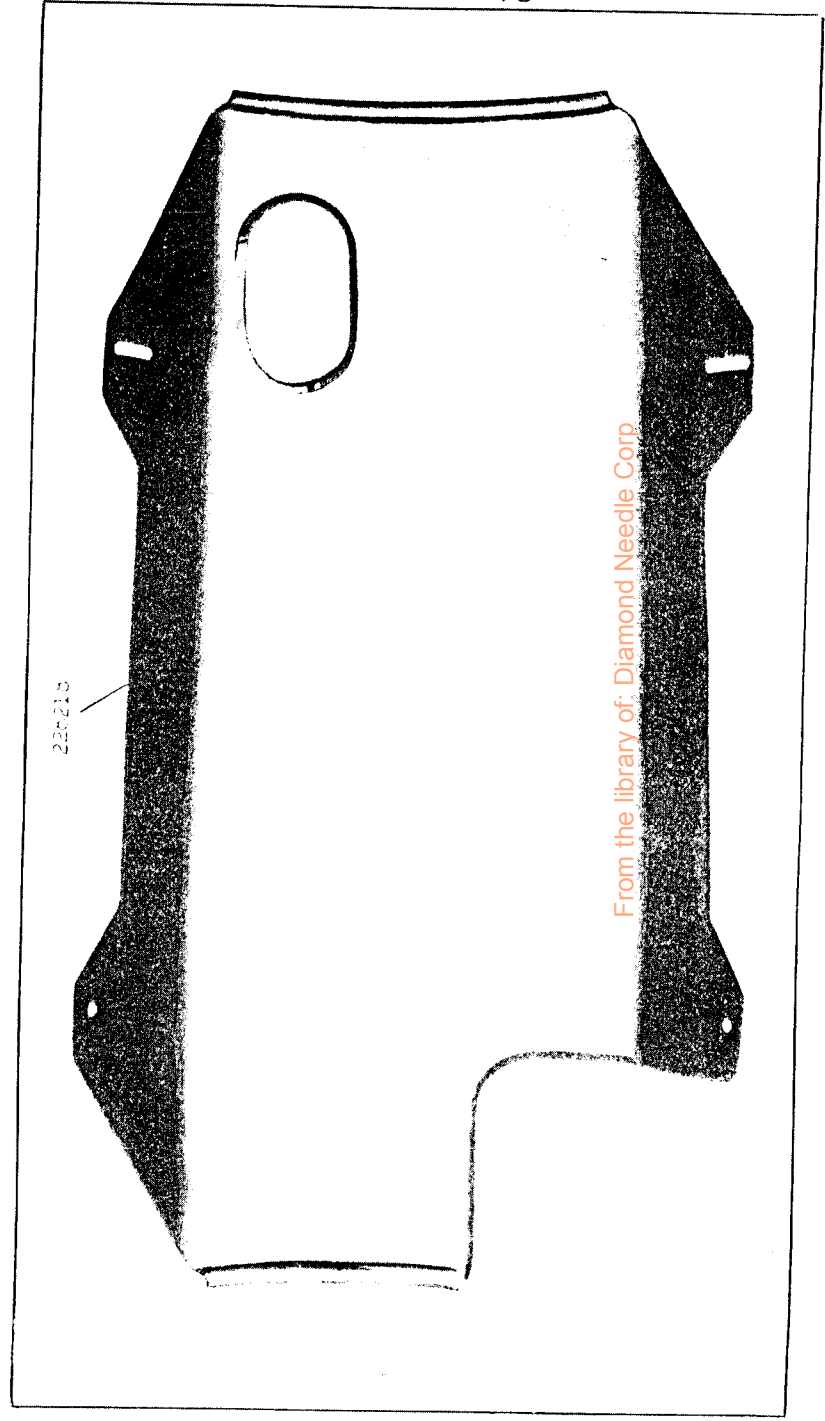
17578 - 5/8



17581 - 1/2



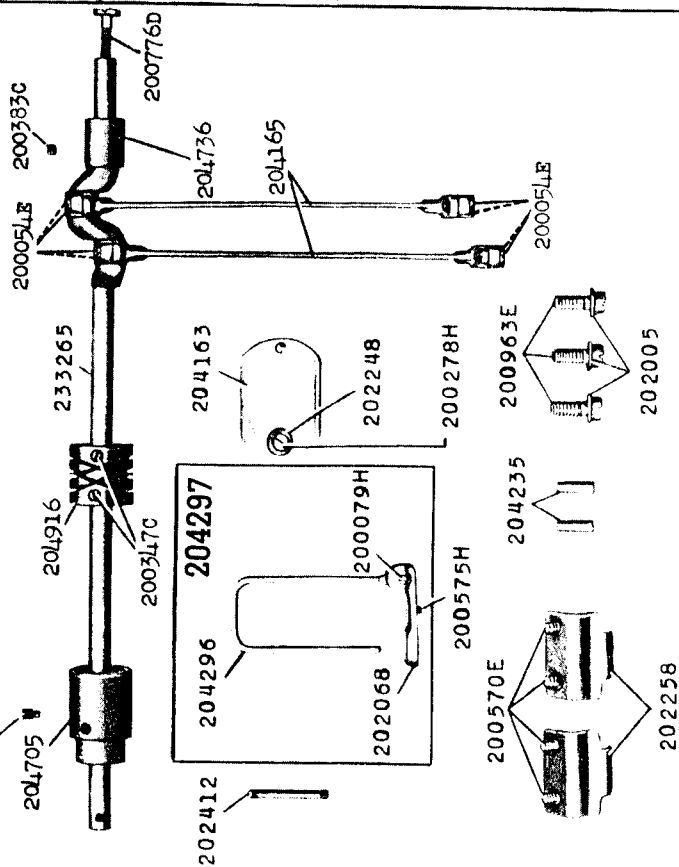
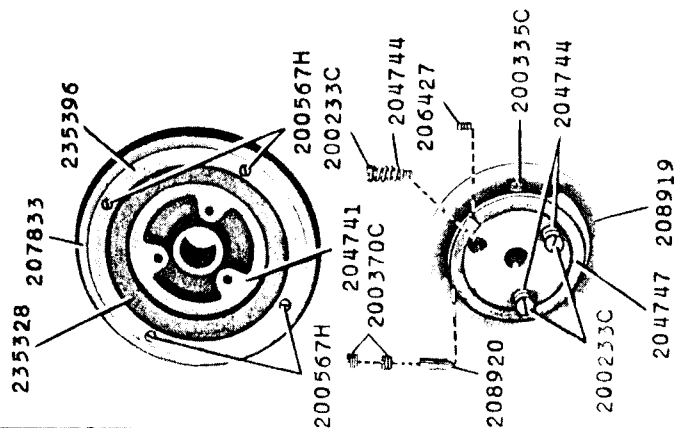
17584 - 3/8



From the library of: Diamond Needle Corp

17585-1/4

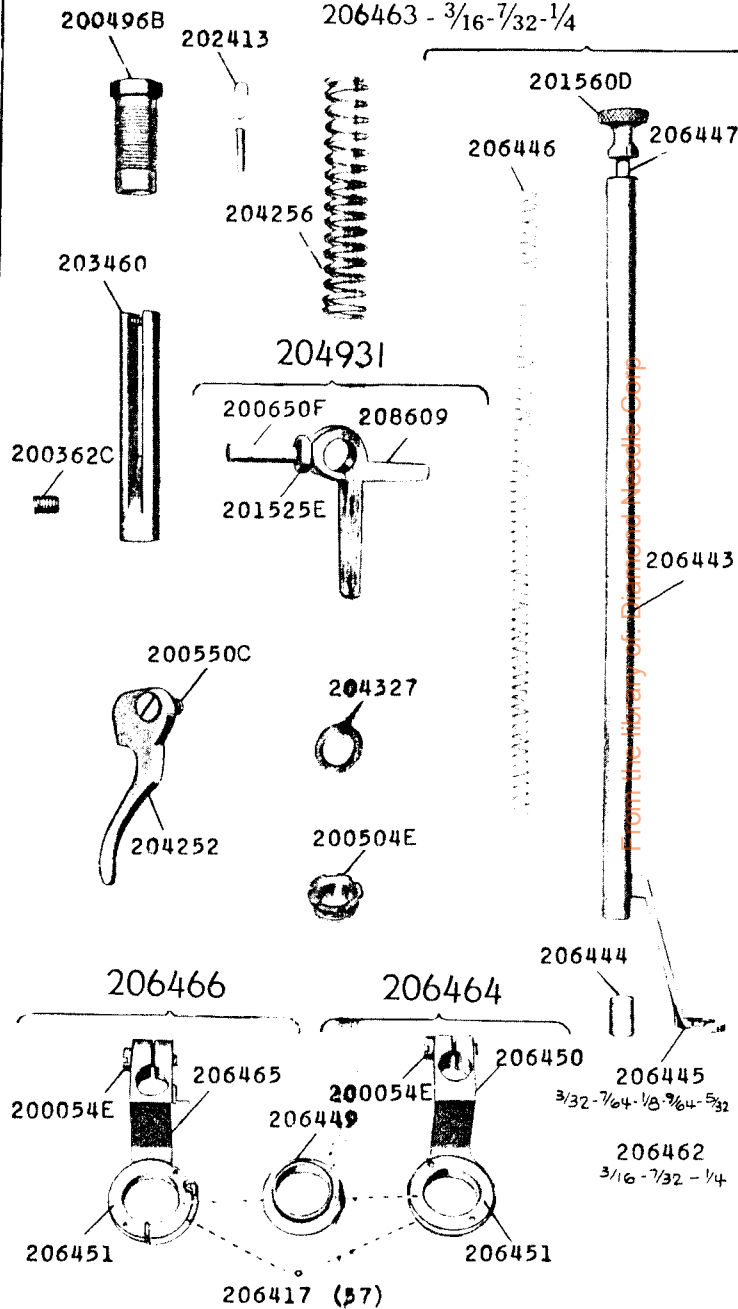
208918



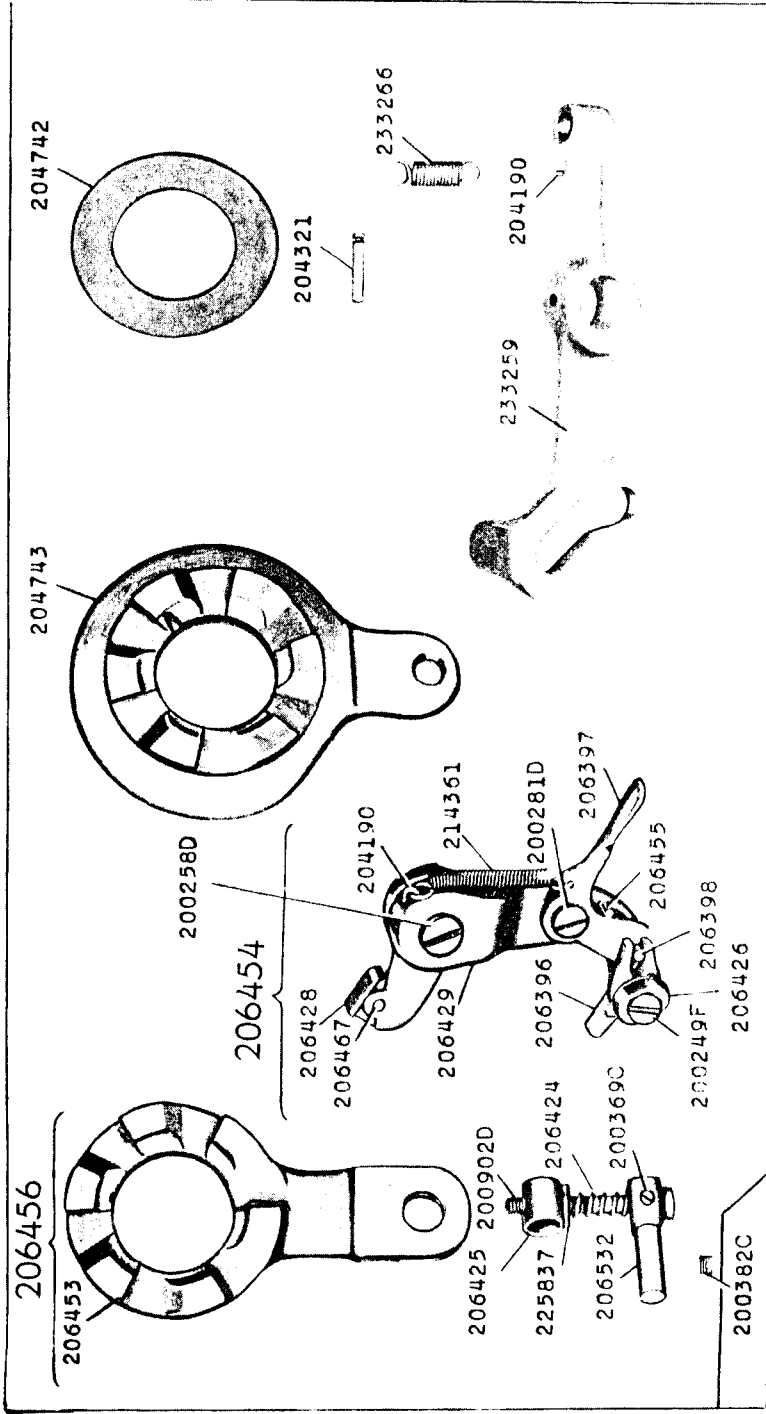
17589 - 1/2

206448 - 3/32-7/64-1/8-9/64-5/32

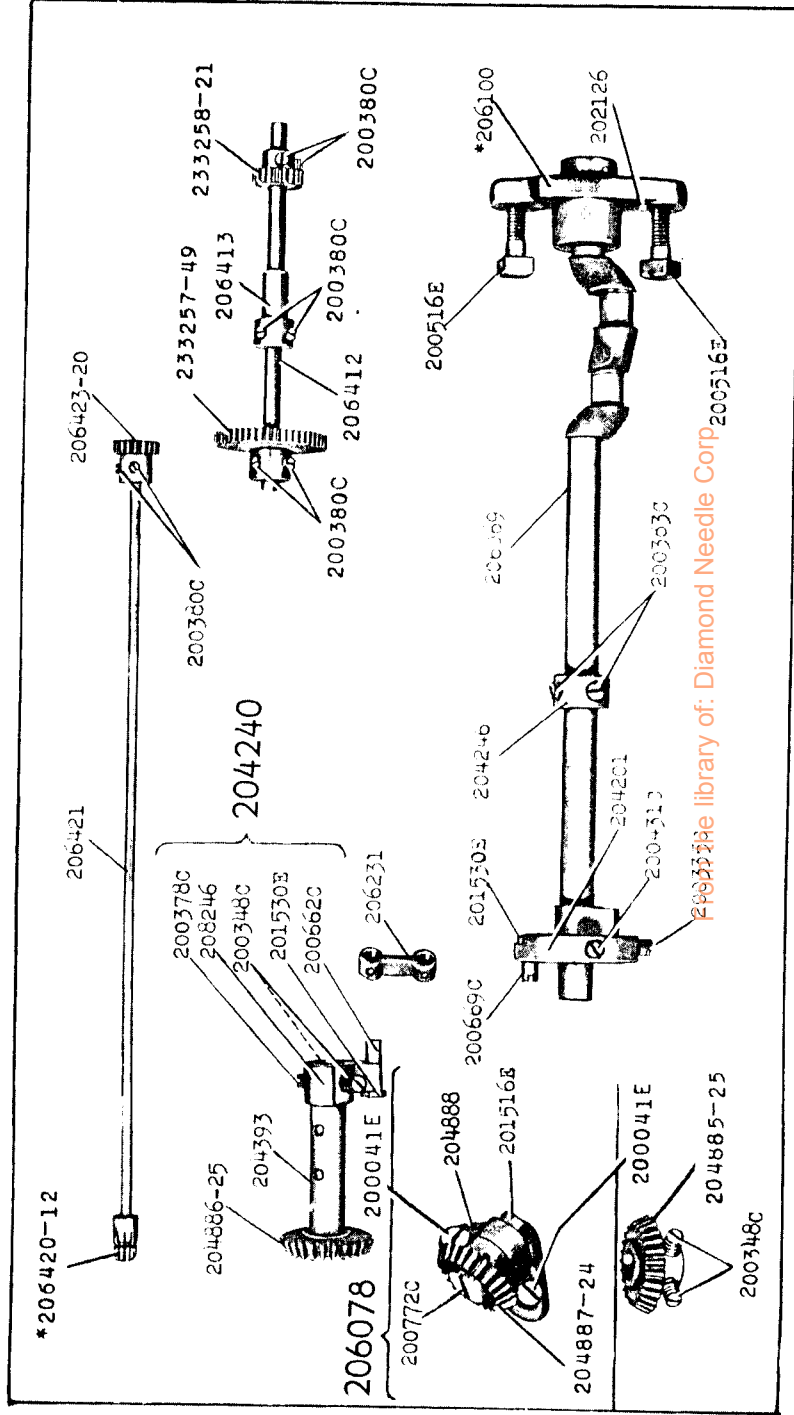
206463 - 3/16-7/32-1/4



17597 - 1/2

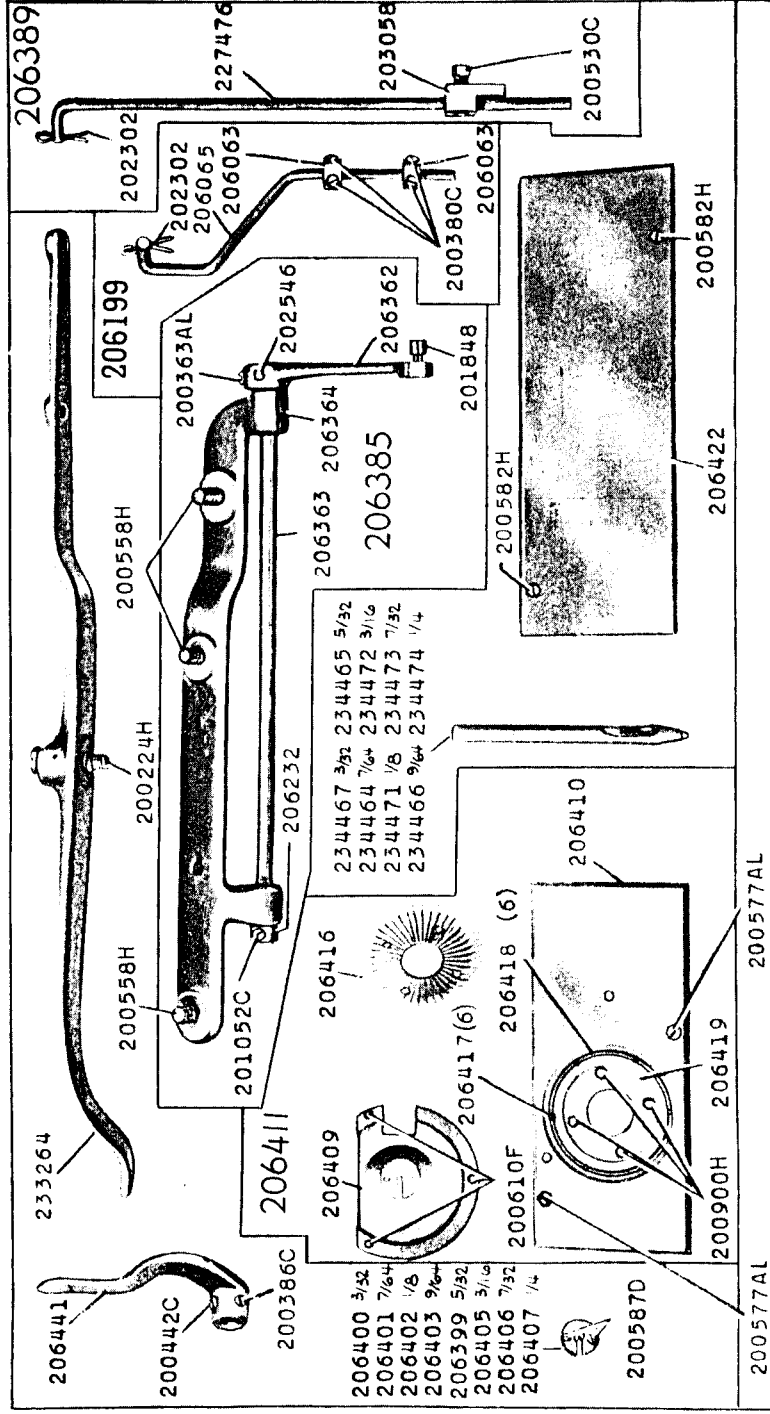


17598 - 3/8

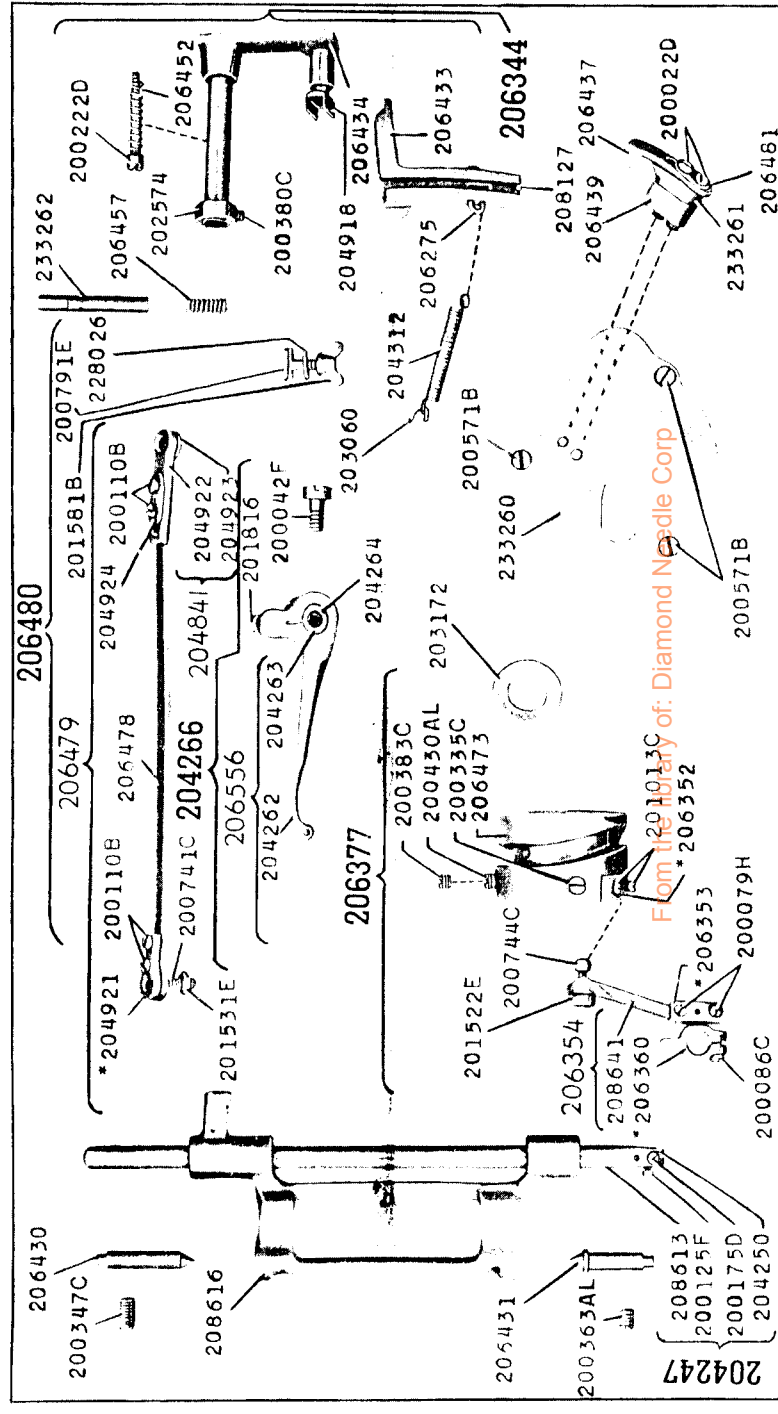


Free library of: Diamond Needle Corp. 200516E

17599 - 1/3



17600 - 3/8



From the Property of: Diamond Needle Corp